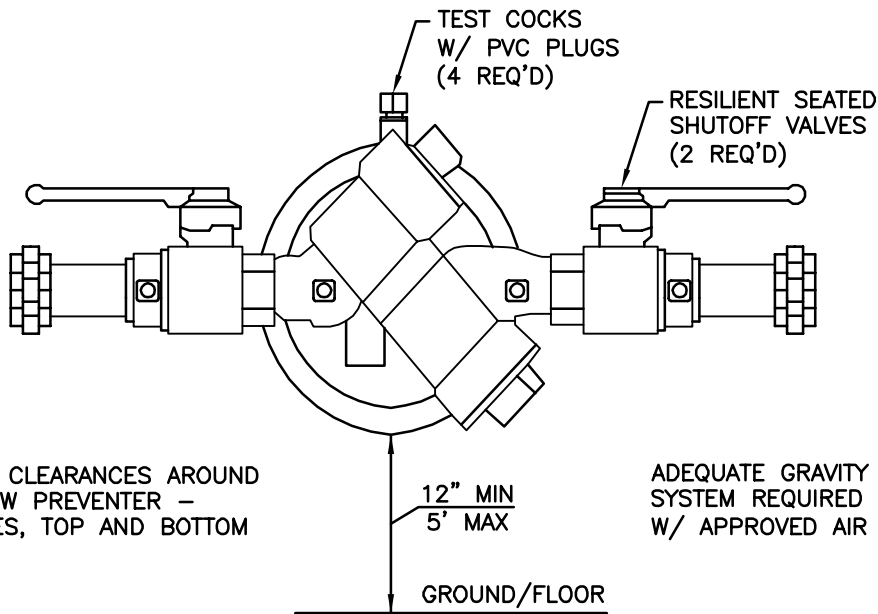


TOP VIEW



MIN 12" CLEARANCES AROUND
BACKFLOW PREVENTER –
ALL SIDES, TOP AND BOTTOM

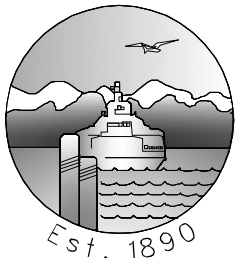
ADEQUATE GRAVITY DRAINAGE
SYSTEM REQUIRED
W/ APPROVED AIR GAP

NOTES:

SIDE VIEW

1. APPROVED REDUCED PRESSURE BACKFLOW ASSEMBLY TO LAY HORIZONTAL ONLY.
2. DESIGNED FOR BACK SIPHONAGE AND BACK PRESSURE.
3. THOROUGHLY FLUSH LINES PRIOR TO INSTALLATION OF BACKFLOW PREVENTER.
4. DO NOT INSTALL IN AN AREA SUBJECT TO FLOODING.
5. MUST BE ACCESSIBLE.
6. MUST BE PROTECTED FROM FREEZING CONDITIONS.
7. THE BACKFLOW ASSEMBLY SHALL BE A STATE APPROVED MODEL.
8. A PLUMBING PERMIT IS REQUIRED – PLEASE CONTACT DEVELOPMENT SERVICES DEPARTMENT.
9. MUST BE TESTED AFTER INSTALLATION AND YEARLY THEREAFTER BY WASHINGTON STATE CERTIFIED BACKFLOW ASSEMBLY TESTER. TEST RESULTS MUST BE SENT TO THE CITY OF EDMONDS WATER DIVISION.

(ABOVE GROUND INSTALLATION ONLY)



CITY OF EDMONDS
PUBLIC WORKS
DEPARTMENT

**REDUCED PRESSURE
BACKFLOW ASSEMBLY 2"
AND SMALLER (RPBA)**

APPROVED BY: **R. ENGLISH**

REVISION DATE
JANUARY 2018

STANDARD
DETAIL
WA-160A